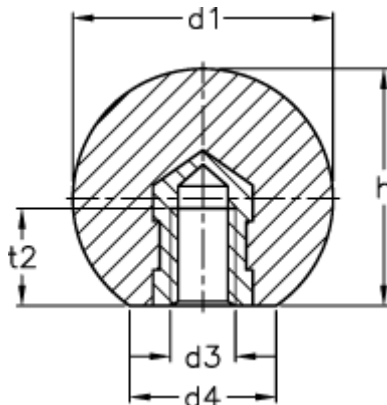


Article number: 20135460

Description: E+G Ball knob DIN 319-KU-40-M10-E-MS

Measures



d1	= 40
d3	= M10
d4 approx.	= 22
h	= 37.0
t2 min.	= 15.0